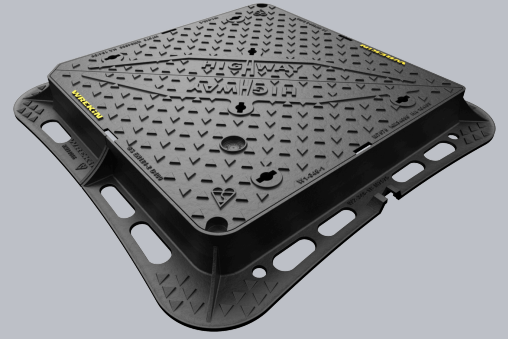
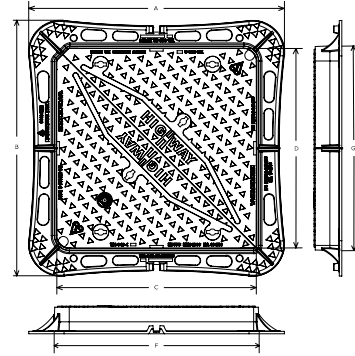


DMTOD4/7575/KH

Highway D400 manhole cover 750mm x 750mm clear opening with 100mm frame depth



CHARACTERISTIC	VALUE
Range	Highway
Clear opening (mm)	750 x 750
Overall frame (mm)	965 x 965
Frame depth (mm)	100
Options	<ul style="list-style-type: none"> ▶ Screw locking ▶ Standard badging ▶ Flood and odour control plate ▶ Safety grille ▶ ID and comms badging ▶ Pressure relief holes



SPECIFICATION

GENERAL INFORMATION

Stock code	DMTOD4/7575/KH
Primary material	Ductile iron
Range	Highway
Category	Manhole cover
Flanges	4

STANDARDS, CLASSES AND GROUPINGS

Standards	BS EN 124-2 DMRB MCHW CD 534 v0.1.0
BS EN 124 Class	D400
BS EN 124 Group	4
Third party certified	Kitemark

DIMENSIONS

Frame shape	Square
Manhole shape	Square
Overall frame (A x B)	965 mm x 965 mm
Clear opening (C x D)	750 mm x 750 mm
Frame depth (E)	100mm
Base opening (F x G)	775 mm x 775 mm

EPD DATA

Total life cycle (cradle to grave)	238.79 kg CO ₂ equivalent
------------------------------------	--------------------------------------



FEATURES

- ✓ The enlarged frame corners help to dissipate loads onto the foundation, providing a longer service life and increased reliability.
- ✓ A retrofittable ID badge can be fitted, also compatible with antennas and communication options (RFID, NFC, IoT)
- ✓ Safety keyway prevents accidental disengagement of the lifting key during the handling process.
- ✓ 70+ PSRV tested at top surface of chequer by UKAS accredited 3rd party.
- ✓ Meets the requirements of CD 534 v0.1.0 (formerly HA 104/09).
- ✓ Frame gussets are supports which reinforce the corners where the frame sections meet, distributing stress evenly, preventing damage to the frame or the access cover.
- ✓ The high seating position ensures that forces are transmitted more directly downwards, meaning conversion of traffic loads into mortar-compatible compression forces.
- ✓ Indexed corners ensure correct orientation first time, every time.
- ✓ Keyway lifting points are provided on the frame for safe handling.
- ✓ Holes in the frame flange where mortar can pass between the underside and top side, creating an interlock, providing greater strength.
- ✓ Surface texturing above and below the flange enables better mortar engagement, reducing any lateral movement which could result in cracking.
- ✓ Non rocking 3-point suspension design, for silent operation.

AVAILABLE OPTIONS

- ✓ **Screw locking**
Screw locking deters unauthorised access to the chamber. An extended shank socket set is required to engage the locking screw.
- ✓ **Industry standard badging**
Integral industry-standard badging e.g. SW (Storm Water) and FW (Foul Water). Details are taken at point of order.
- ✓ **Flood and odour control plate**
The flood and odour control plate is manufactured from steel and provides resistance to flood-water ingress and the chamber-odour egress.
- ✓ **Safety grille**
Safety grilles prevent accidental chamber falls. Available in a variety of configurations; including bars and mesh as drop-in or hinged.
- ✓ **ID badging and communications options**
Bespoke badging and communications antennae, including NFC, RFID and IoT technology.
- ✓ **Pressure relief holes**
Pressure relief holes provide additional airflow, with sizes permitted up to the maximum allowances specified in BS EN 124.

ACCESSORIES

STOCK CODE	DESCRIPTION
PC/UNIFORM/151076	Uniform chamber adjustment unit 760mm x 100mm x 15mm
PC/UNIFORM/251076	Uniform chamber adjustment unit 760mm x 100mm x 25mm
PC/UNIWEDGE/755012	Uniform support wedge 120mm x 50mm x 75mm
YPCR/U12.5	12.5Kg Unipak [®] rapid curing polyester resin mortar
YPCR/U25	25Kg Unipak [®] rapid curing polyester resin mortar

Tel: 01543 440 440
 Fax: 01543 440 444
info@wrekinproducts.com
wrekinproducts.com



KM 34066

FM 32898

EMS 758038

STOCK CODE	DESCRIPTION
GRITBLOCKER	Anti-blockage keyway insert
SCREWLIFT	Simple and rapid manhole frame levelling system. Simply push the bushes into the holes in the flange and adjust the levelling screws to the required height.
KEY/LONG	Large cover lifting keys with a long handle (sold as a pair)
KEYS/L	Small cover combined lifting key

- ▶ Wrekin Products Ltd is continually seeking to improve our products and therefore reserves the right to alter product specifications without prior notice.
- ▶ It is the responsibility of all users to satisfy themselves the above data is current.
- ▶ All values stated are nominal within 2.5% tolerance.
- ▶ Installation details are available in the [knowledge base](#).
- ▶ All Wrekin products are supplied subject to our [Terms and Conditions of Sale](#).

Tel: 01543 440 440
 Fax: 01543 440 444
info@wrekinproducts.com
wrekinproducts.com

