

## DMHTOD4/7575/KH

Highway HaloHinge D400 manhole cover 750mm x 750mm clear opening with 100mm frame depth

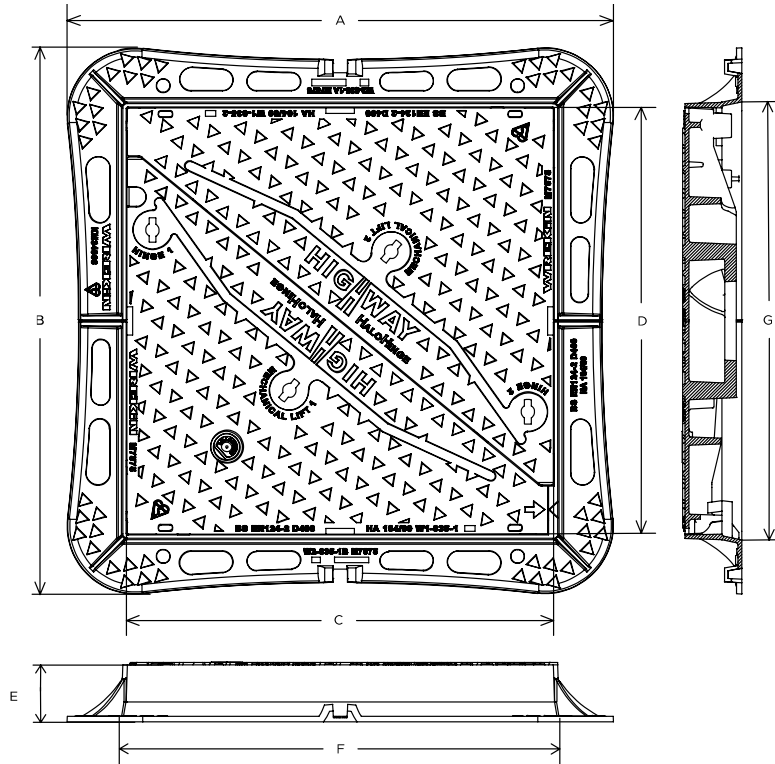


RANGE	CLEAR OPENING (MM)	OVERALL FRAME (MM)	FRAME DEPTH (MM)	OPTIONS
Highway	750 x 750	960 x 960	100	<input type="checkbox"/> Screw locking <input type="checkbox"/> Integral badging <input type="checkbox"/> Ventilation holes <input type="checkbox"/> Flood and odour control plate <input type="checkbox"/> Safety grille <input type="checkbox"/> Factory-applied badging

## KEY FEATURES

- ✓ The enlarged frame corners help to dissipate loads onto the foundation, providing a longer service life and increased reliability.
- ✓ Safety keyway prevents accidental disengagement of the lifting key during the handling process.
- ✓ Meets the requirements of CD 534 v0.1.0 (formerly HA 104/09).
- ✓ The high seating position ensures that forces are transmitted more directly downwards, meaning conversion of traffic loads into mortar-compatible compression forces.
- ✓ Keyway lifting points are provided on the frame for safe handling.
- ✓ Surface texturing above and below the flange enables better mortar engagement, reducing any lateral movement which could result in cracking.
- ✓ Hinges are concealed within the bounds of the frame. This means during installation the hinges
- ✓ A retrofittable ID badge can be fitted, also compatible with antennas and communication options (RFID, NFC, IoT)
- ✓ 70+ PSRV tested at top surface of chequer by UKAS accredited 3rd party.
- ✓ Frame gussets are supports which reinforce the corners where the frame sections meet, distributing stress evenly, preventing damage to the frame or the access cover.
- ✓ Indexed corners ensure correct orientation first time, every time.
- ✓ Holes in the frame flange where mortar can pass between the underside and top side, creating an interlock, providing greater strength.
- ✓ Non rocking 3-point suspension design, for silent operation.
- ✓ Safety-stop hinges prevent covers from falling once opened.

aren't exposed during compaction of the surround and are unlikely to be blocked by debris.



## SPECIFICATION

### General information

Stock code	DMHTOD4/7575/KH
Primary material	Ductile iron
Range	Highway
Category	Manhole cover
Flanges	4

## Standards, classes and groupings

<b>Standards</b>	BS EN 124-2 DMRB MCHW CD 534 v0.1.0
<b>BS EN 124 Class</b>	D400
<b>BS EN 124 Group</b>	4
<b>Third party certified</b>	Kitemark

## Dimensions

<b>Frame shape</b>	Square
<b>Manhole shape</b>	Square
<b>Overall frame (A x B)</b>	960 mm x 960 mm
<b>Clear opening (C x D)</b>	750 mm x 750 mm
<b>Frame depth (E)</b>	100mm
<b>Base opening (F x G)</b>	770 mm x 770 mm

## AVAILABLE OPTIONS

- ✓ **Screw locking**  
Screw locking deters unauthorised access to the chamber. An extended shank socket set is required to engage the locking screw.
- ✓ **Ventilation holes**  
Provide additional cover ventilation in addition to the product's natural ventilation, up to the BS EN 124 allowance.
- ✓ **Safety grille**  
Safety grilles prevent accidental chamber falls. Available in a variety of configurations; including bars and mesh as drop-in or hinged.
- ✓ **Industry standard badging**  
Integral industry-standard badging e.g. SW (Storm Water) and FW (Foul Water). Details are taken at point of order.
- ✓ **Flood and odour control plate**  
The flood and odour control plate is manufactured from steel and provides resistance to flood-water ingress and the chamber-odour egress.
- ✓ **ID badging and communications options**  
Bespoke badging and communications antennae, including NFC, RFID and IoT technology.

## ACCESSORIES

STOCK CODE	DESCRIPTION
PC/UNIFORM/151076	Uniform chamber adjustment unit 760mm x 100mm x 15mm
PC/UNIFORM/251076	Uniform chamber adjustment unit 760mm x 100mm x 25mm
PC/UNIWEDGE/755012	Uniform support wedge 120mm x 50mm x 75mm
YPCR/U12.5	12.5Kg Unipak <sup>®</sup> rapid curing polyester resin mortar
YPCR/U25	25Kg Unipak <sup>®</sup> rapid curing polyester resin mortar
GRITBLOCKER	Anti-blockage keyway insert
SCREWLIFT	Simple and rapid manhole frame levelling system. Simply push the bushes into the holes in the flange and adjust the levelling screws to the required height.
KEY/LONG	Large cover lifting keys with a long handle (sold as a pair)
KEYSHEAVY	Large cover lifting keys with a standard handle (sold as a pair)
KEYS/L	Small cover combined lifting key

## NOTES

All values stated are nominal within 2.5% tolerance.

1. Wrekin Products Ltd is continually seeking to improve our products and therefore reserves the right to alter product specifications without prior notice.
2. It is the responsibility of all users to satisfy themselves the above data is current.
3. Installation details are available on request.
4. All Wrekin products are supplied subject to our [Terms and Conditions of Sale](#)

