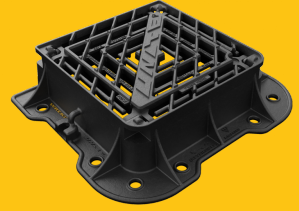


DGHTOD6/4545/KU

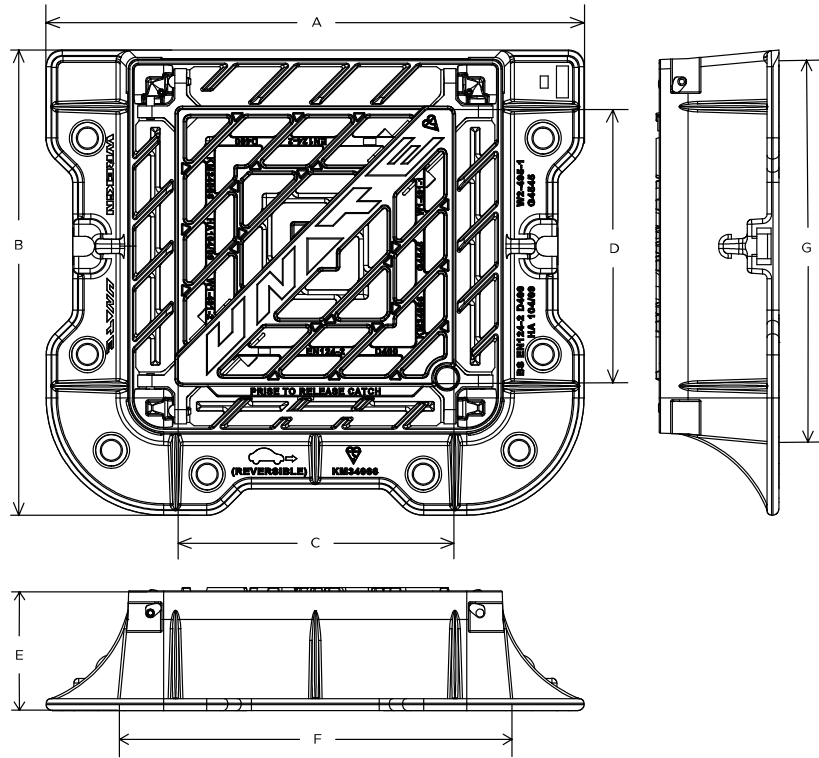
Unite D400 3 flange gully grate 450mm x 450mm clear opening with 150mm frame depth



RANGE	OVERALL FRAME (A X B)	CLEAR OPENING (C X D)	FRAME DEPTH (E)	BASE OPENING (F X G)	WATERWAY AREA
Unite	670 mm x 580 mm	450 mm x 450 mm	150 mm	475 mm x 475 mm	1,440 cm ²

Key features

- ✓ Anti-flex covers prevent the causes of cover seating wear, eliminating excessive noise and catastrophic failure.
- ✓ Captive hinges reduce theft risk whilst allowing easy lifting.
- ✓ Hinged in 3 directions – product can fit in any required orientation.
- ✓ Reversible hinge allows the grating to hinge with the direction of the traffic flow, improving safety.
- ✓ Meets CD 534 v0.1.0 (formerly HA 104/09).
- ✓ Beam in beam design
- ✓ Enlarged frame corners help to dissipate load, minimising bearing pressure.
- ✓ Mechanical lifting points are provided.
- ✓ Safety-stop hinges prevent covers falling once opened.



General information

Stock code	DGHT0D6/4545/KU
Primary material	Ductile iron
Range	<u>Unite</u>
Category	Gully grate
Flanges	3

Standards, classes and groupings

Standards	BS EN 124 DMRB MCHW CD 534 v0.1.0
-----------	--

BS EN 124 Class	D400
BS EN 124 Group	3 4
Third party certified	Kitemark
CD526 Hydraulic Capacity	Q

Dimensions

Frame shape	Rectangular
Manhole shape	Rectangular
Overall frame length (A)	670 mm
Overall frame width (B)	580 mm
Clear opening length (C)	450 mm
Clear opening width (D)	450 mm
Frame depth (E)	150 mm
Base opening length (F)	475 mm
Base opening width (G)	475 mm
Waterway area	1,440 cm ²

Notes

The D400 load capability of these Group 3 products also offers the benefit of making them suitable for exposure to Group 4 traffic types.

Where 3-flange D400 Gully Grate assemblies are employed, we recommend that they are installed against a kerb, not in an open highway location.

All values stated are nominal within 2.5% tolerance.

Accessories

STOCK CODE	PRODUCT NAME	DESCRIPTION
PC/UNIFORM/151076	UniForm	UniForm chamber adjustment unit 760mm x 100mm x 15mm
PC/UNIFORM/151576	UniForm	UniForm chamber adjustment unit 760mm x 150mm x 15mm
PC/UNIFORM/251076	UniForm	UniForm chamber adjustment unit 760mm x 100mm x 25mm
PC/UNIFORM/251576	UniForm	UniForm chamber adjustment unit 760mm x 150mm x 25mm
PC/UNIFORM/451076	UniForm	UniForm chamber adjustment unit 760mm x 100mm x 45mm
PC/UNIFORM/451576	UniForm	UniForm chamber adjustment unit 760mm x 150mm x 45mm
PC/UNIWEDGE/755012	UniForm	UniForm support wedge 120mm x 50mm x 75mm
YPCR/U12.5	UniPak Mortar	12.5Kg UniPak rapid curing polyester resin mortar
YPCR/U25	UniPak Mortar	25Kg UniPak rapid curing polyester resin mortar
SCREWLIFT	ScrewLift	Manhole cover levelling system

1. Wrekin Products Ltd is continually seeking to improve our products and therefore reserves the right to alter product specifications without prior notice.
2. It is the responsibility of all users to satisfy themselves the above data is current.
3. Installation details are available on request.

