

DGH0D4/4545/KT

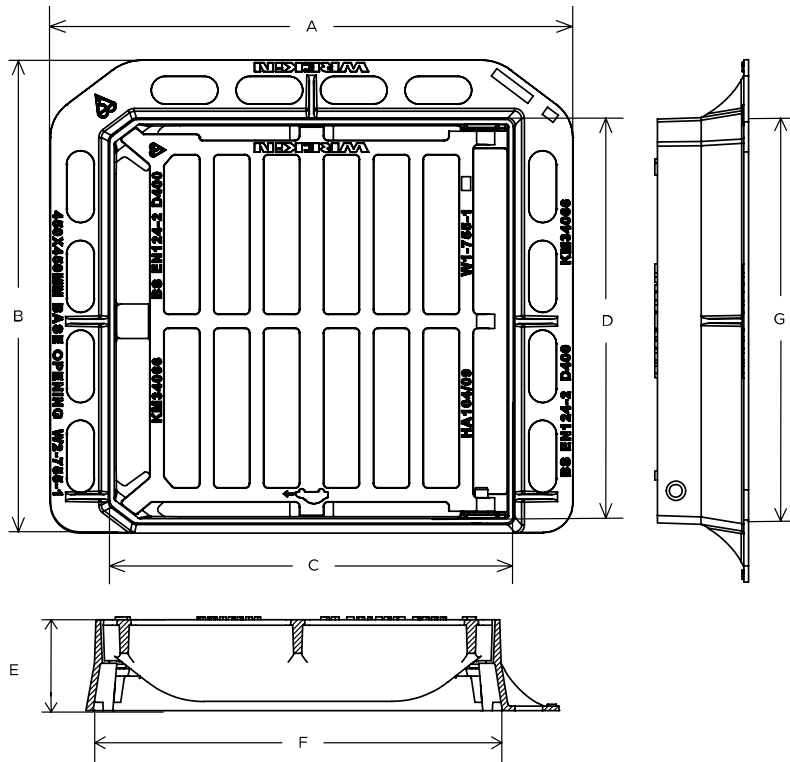
Tristar D400 3 flange gully grate 430mm x 430mm clear opening with 100mm frame depth



RANGE	OVERALL FRAME (A X B)	CLEAR OPENING (C X D)	FRAME DEPTH (E)	BASE OPENING (F X G)	WATERWAY AREA
Tristar	575 mm x 520 mm	430 mm x 430 mm	100 mm	450 mm x 450 mm	1,250 cm ²

Key features

- ✓ Captive hinges reduce theft risk whilst allowing easy lifting.



General information

Stock code	DGH0D4/4545/KT
Primary material	Ductile iron
Range	<u>Tristar</u>
Category	Gully grate
Flanges	3

Standards, classes and groupings

Standards	BS EN 124 CD 526 CD 534
BS EN 124 Class	D400
BS EN 124 Group	3
Third party certified	Kitemark
CD526 Hydraulic Capacity	R

Dimensions

Frame shape	Rectangular
Manhole shape	Rectangular
Overall frame length (A)	575 mm
Overall frame width (B)	520 mm
Clear opening length (C)	430 mm
Clear opening width (D)	430 mm

Frame depth (E)	100 mm
Base opening length (F)	450 mm
Base opening width (G)	450 mm
Waterway area	1,250 cm ²

Notes

The use of Armadillo is recommended where exposure to construction site traffic is likely.

All values stated are nominal within 2.5% tolerance.

Accessories

STOCK CODE	PRODUCT NAME	DESCRIPTION
PC/UNIFORM/151076	UniForm	UniForm packing plate 760mm x 100mm x 15mm
PC/UNIFORM/151576	UniForm	UniForm packing plate 760mm x 150mm x 15mm
PC/UNIFORM/251076	UniForm	UniForm packing plate 760mm x 100mm x 25mm
PC/UNIFORM/251576	UniForm	UniForm packing plate 760mm x 150mm x 25mm
PC/UNIFORM/451076	UniForm	UniForm packing plate 760mm x 100mm x 45mm
PC/UNIFORM/451576	UniForm	UniForm packing plate 760mm x 150mm x 45mm
PC/UNIWEDGE/755012	UniForm	UniForm support wedge 120mm x 50mm x 75mm
YPCR/U12.5	UniPak Mortar	12.5Kg UniPak rapid curing polyester resin mortar
YPCR/U25	UniPak Mortar	25Kg UniPak rapid curing polyester resin mortar
ARMGSHELL/4545	Armadillo	Armadillo gully grate protector shell 645mm x 550mm

1. Wrekin Products Ltd is continually seeking to improve our products and therefore reserves the right to alter product specifications without prior notice.
2. It is the responsibility of all users to satisfy themselves the above data is current.
3. Installation details are available on request.



FM32898

