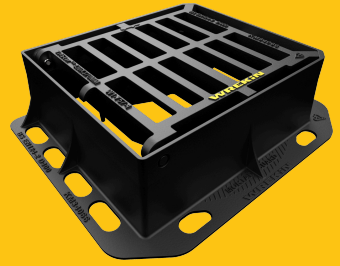


## DGHOD6/4337/KT

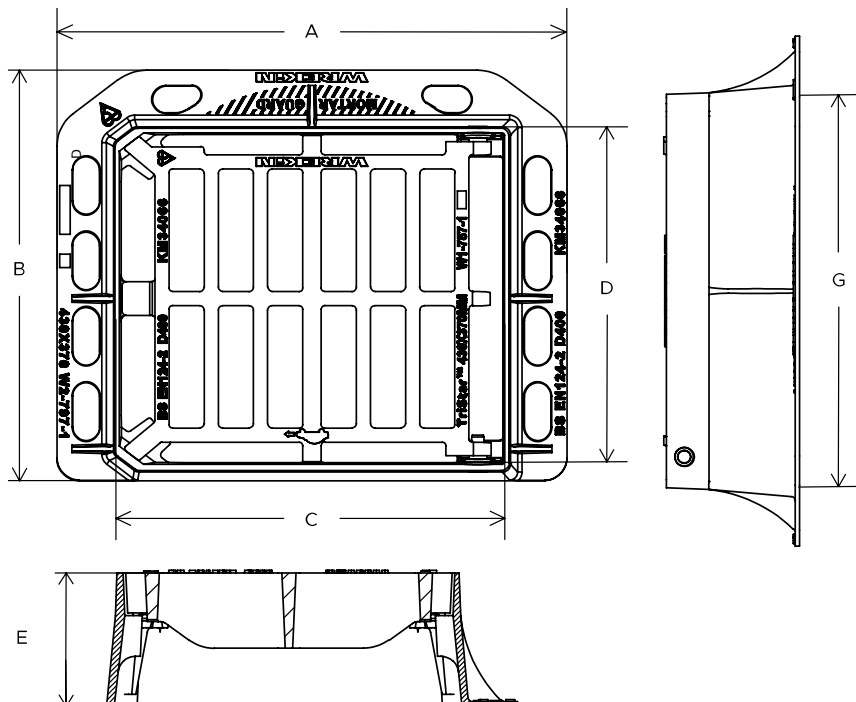
Tristar D400 3 flange gully grate 430mm x 370mm clear opening with 150mm frame depth



RANGE	CLEAR OPENING (MM)	BASE OPENING (MM)	OVERALL FRAME (MM)	FRAME DEPTH (MM)	WATERWAY AREA (CM <sup>2</sup> )	OPTIONS
Tristar	430 x 370	450 x 390	575 x 465	150	1,050	<input type="checkbox"/> Screw locking

## FEATURES

- ✓ Captive hinges reduce theft risk whilst allowing easy lifting.



Full compatibility with typical 450mm Ø circular or horseshoe chambers, providing a cost saving solution.

## SPECIFICATION

### General information

Stock code	DGH0D6/4337/KT
Primary material	Ductile iron
Range	Tristar
Category	Gully grate
Flanges	3

### Standards, classes and groupings

Standards	BS EN 124-2 CD 526 (formerly HA 102/17) CD 534 (formerly HA 104/09)
BS EN 124 Class	D400
BS EN 124 Group	3 4
Third party certified	Kitemark
CD 526 hydraulic capacity	R

### Dimensions

Frame shape	Rectangular
Manhole shape	Rectangular
Overall frame (A x B)	575 mm x 465 mm
Clear opening (C x D)	430 mm x 370 mm
Frame depth (E)	150mm
Base opening (F x G)	450 mm x 390 mm
Waterway area	1,050cm <sup>2</sup>

## AVAILABLE OPTIONS

### ✓ Screw locking

Screw locking deters unauthorised access to the chamber. An extended shank socket set is required to engage the locking screw.

## ACCESSORIES

STOCK CODE	DESCRIPTION
PC/UNIFORM/151076	Uniform chamber adjustment unit 760mm x 100mm x 15mm
PC/UNIFORM/251076	Uniform chamber adjustment unit 760mm x 100mm x 25mm
PC/UNIWEDGE/755012	Uniform support wedge 120mm x 50mm x 75mm
YPCR/U12.5	12.5Kg Unipak <sup>®</sup> rapid curing polyester resin mortar
YPCR/U25	25Kg Unipak <sup>®</sup> rapid curing polyester resin mortar
ARMGSHELL/4337	Armadillo gully grate protector shell 645mm x 490mm (compatible with Tristar D400 430mm x 370mm gully grating)

## NOTES

The wedge seated frame has been designed to suit all existing gully pot styles and will sit over a typical Ø 450mm circular or horseshoe chamber opening. The frame flange has reduced apertures as a mortar guard to stop backfill material from entering the chamber.

The use of Armadillo is recommended where exposure to construction site traffic is likely.

The D400 load capability of these Group 3 products also offers the benefit of making them suitable for exposure to Group 4 traffic types. Where 3-flange D400 Gully Grate assemblies are employed, we recommend that they are installed against a kerb, not in an open highway location. All values stated are nominal within 2.5% tolerance.

1. Wrekin Products Ltd is continually seeking to improve our products and therefore reserves the right to alter product specifications without prior notice.
2. It is the responsibility of all users to satisfy themselves the above data is current.
3. Installation details are available on request.
4. All Wrekin products are supplied subject to our [Terms and Conditions of Sale](#)

