

## DGH0D3/4545/KT

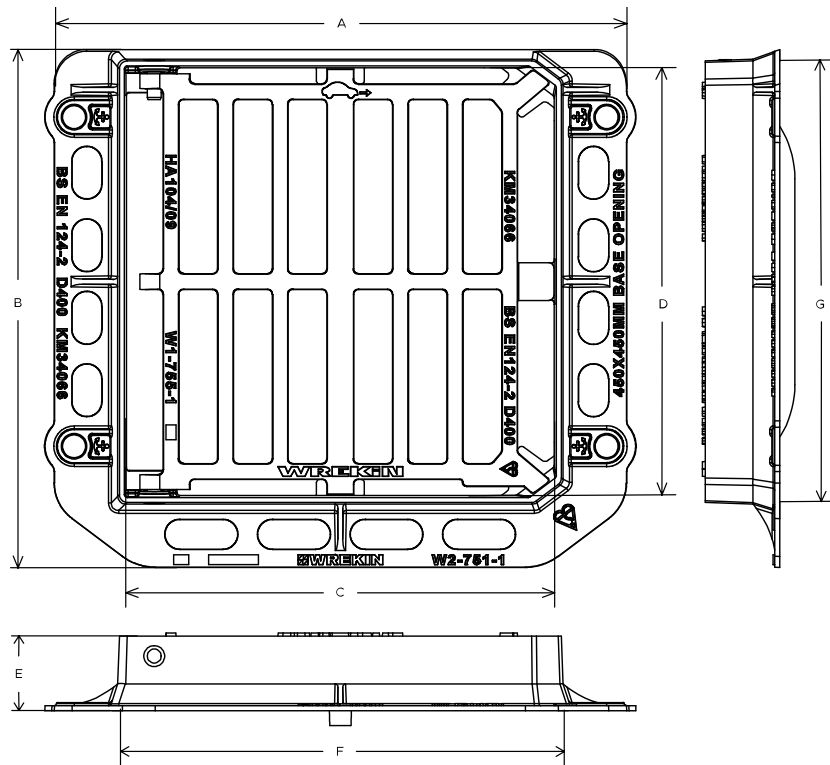
Tristar D400 3 flange gully grate 430mm x 430mm clear opening with 75mm frame depth



| RANGE   | CLEAR OPENING (MM) | BASE OPENING (MM) | OVERALL FRAME (MM) | FRAME DEPTH (MM) | WATERWAY AREA (CM <sup>2</sup> ) | OPTIONS                                |
|---------|--------------------|-------------------|--------------------|------------------|----------------------------------|--|
| Tristar | 430 x 430          | 450 x 450         | 575 x 520          | 75               | 1,250                            | <input type="checkbox"/> Screw locking |

## KEY FEATURES

- ✓ Captive hinges reduce theft risk whilst allowing easy lifting.



## SPECIFICATION

### General information

|                  |                |
|------------------|----------------|
| Stock code       | DGH0D3/4545/KT |
| Primary material | Ductile iron   |
| Range            | Tristar        |
| Category         | Gully grate    |
| Flanges          | 3              |

### Standards, classes and groupings

|                           |  |
|---------------------------|--|
| Standards                 | BS EN 124-2<br>CD 526 (formerly HA 102/17) |
| BS EN 124 Class           | D400                                       |
| BS EN 124 Group           | 3<br>4                                     |
| Third party certified     | Kitemark                                   |
| CD 526 hydraulic capacity | R  |

### Dimensions

|                       |                      |
|-----------------------|----------------------|
| Frame shape           | Rectangular          |
| Manhole shape         | Rectangular          |
| Overall frame (A x B) | 575 mm x 520 mm      |
| Clear opening (C x D) | 430 mm x 430 mm      |
| Frame depth (E)       | 75mm                 |
| Base opening (F x G)  | 450 mm x 450 mm      |
| Waterway area         | 1,250cm <sup>2</sup> |

## AVAILABLE OPTIONS

### ✓ Screw locking

Screw locking deters unauthorised access to the chamber. An extended shank socket set is required to engage the locking screw.

## ACCESSORIES

| STOCK CODE         | DESCRIPTION  |
|--------------------|--|
| PC/UNIFORM/151076  | Uniform chamber adjustment unit 760mm x 100mm x 15mm |
| PC/UNIFORM/251076  | Uniform chamber adjustment unit 760mm x 100mm x 25mm |
| PC/UNIWEDGE/755012 | Uniform support wedge 120mm x 50mm x 75mm            |
| YPCR/U12.5         | 12.5Kg Unipak® rapid curing polyester resin mortar   |
| YPCR/U25           | 25Kg Unipak® rapid curing polyester resin mortar     |

## NOTES

- Can be manufactured on request, [please contact the sales team](#) for more information
- The use of Armadillo is recommended where exposure to construction site traffic is likely.
- The D400 load capability of these Group 3 products also offers the benefit of making them suitable for exposure to Group 4 traffic types. Where 3-flange D400 Gully Grate assemblies are employed, we recommend that they are installed against a kerb, not in an open highway location. All values stated are nominal within 2.5% tolerance.

## The Sea Starts Here

We've taken a notable step in environmental advocacy by updating our most popular Tristar gully gratings to include the phrase "The Sea Starts Here". This initiative aims to highlight the critical issue of water pollution among communities and the wider industry. The message serves as a poignant reminder that our actions on land reverberate through to our oceans, urging us to consider how we dispose of waste and the long-term effects on marine ecosystems. [Find out more.](#)

1. Wrekin Products Ltd is continually seeking to improve our products and therefore reserves the right to alter product specifications without prior notice.
2. It is the responsibility of all users to satisfy themselves the above data is current.
3. Installation details are available on request.
4. All Wrekin products are supplied subject to our [Terms and Conditions of Sale](#)

