

DGHTOD6/6045/KH

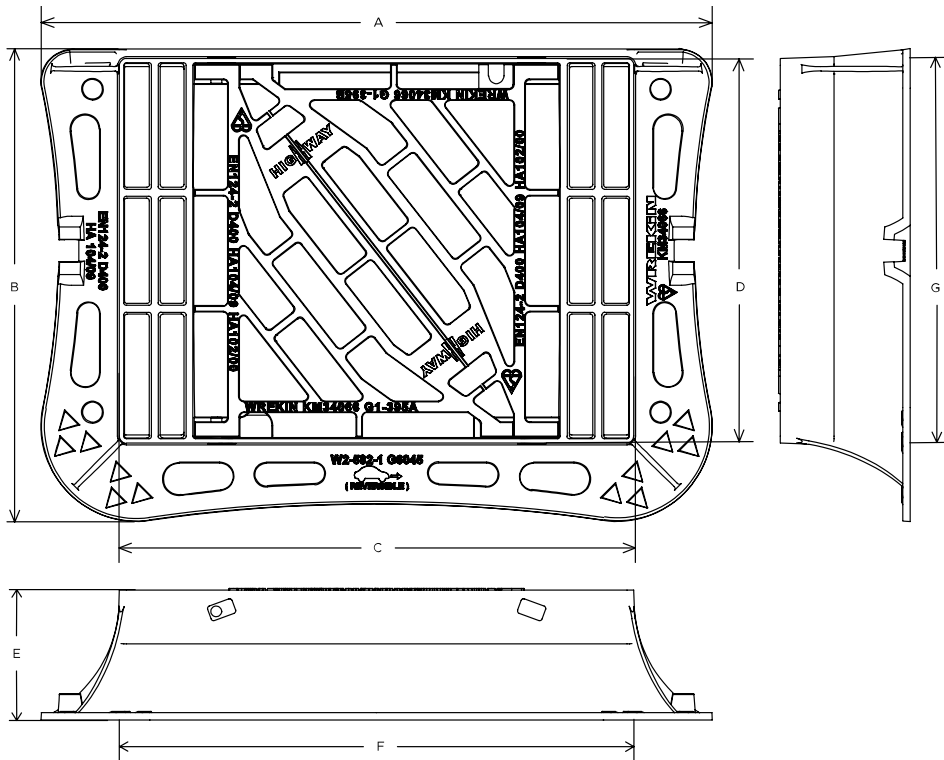
Highway D400 3 flange gully grate 420mm x 420mm clear opening with 150mm frame depth



RANGE	OVERALL FRAME (A X B)	CLEAR OPENING (C X D)	FRAME DEPTH (E)	BASE OPENING (F X G)	WATERWAY AREA
Highway	775 mm x 545 mm	425 mm x 425 mm	150 mm	600 mm x 450 mm	1,750 cm ²

Key features

- ✓ Captive hinges reduce theft risk whilst allowing easy lifting.
- ✓ Enlarged frame corners help to dissipate, load minimising bearing pressure.
- ✓ Mechanical lifting points are provided.
- ✓ Reversible hinge allows the grating to hinge with the direction of the traffic flow, improving safety.



General information

Stock code	DGHT0D6/6045/KH
Primary material	Ductile iron
Range	<u>Highway</u>
Category	Gully grate
Flanges	3

Standards, classes and groupings

Standards	BS EN 124 CD 534 CD 526 DMRB MCHW
BS EN 124 Class	D400
BS EN 124 Group	3 4
Third party certified	Kitemark
CD526 Hydraulic Capacity	Q

Dimensions

Frame shape	Rectangular
Manhole shape	Rectangular
Overall frame length (A)	775 mm
Overall frame width (B)	545 mm

Clear opening length (C)

Clear opening width (D)

425 mm

Frame depth (E)

150 mm

Base opening length (F)

600 mm

Base opening width (G)

450 mm

Waterway area

1,750 cm²

Notes

Where 3-flange D400 Gully Grate assemblies are employed, we recommend that they are installed against a kerb, not in an open highway location.

All values stated are nominal within 2.5% tolerance.

Accessories

STOCK CODE	PRODUCT NAME	DESCRIPTION
PC/UNIFORM/151076	UniForm	UniForm packing plate 760mm x 100mm x 15mm
PC/UNIFORM/151576	UniForm	UniForm packing plate 760mm x 150mm x 15mm
PC/UNIFORM/251076	UniForm	UniForm packing plate 760mm x 100mm x 25mm
PC/UNIFORM/251576	UniForm	UniForm packing plate 760mm x 150mm x 25mm
PC/UNIFORM/451076	UniForm	UniForm packing plate 760mm x 100mm x 45mm
PC/UNIFORM/451576	UniForm	UniForm packing plate 760mm x 150mm x 45mm
PC/UNIWEDGE/755012	UniForm	UniForm support wedge 120mm x 50mm x 75mm
YPCR/U12.5	UniPak Mortar	12.5Kg UniPak rapid curing polyester resin mortar
YPCR/U25	UniPak Mortar	25Kg UniPak rapid curing polyester resin mortar
SCREWLIFT	ScrewLift	Manhole cover levelling system

1. Wrekin Products Ltd is continually seeking to improve our products and therefore reserves the right to alter product specifications without prior notice.
2. It is the responsibility of all users to satisfy themselves the above data is current.
3. Installation details are available on request.

