

DGHVOD6/9090/KH

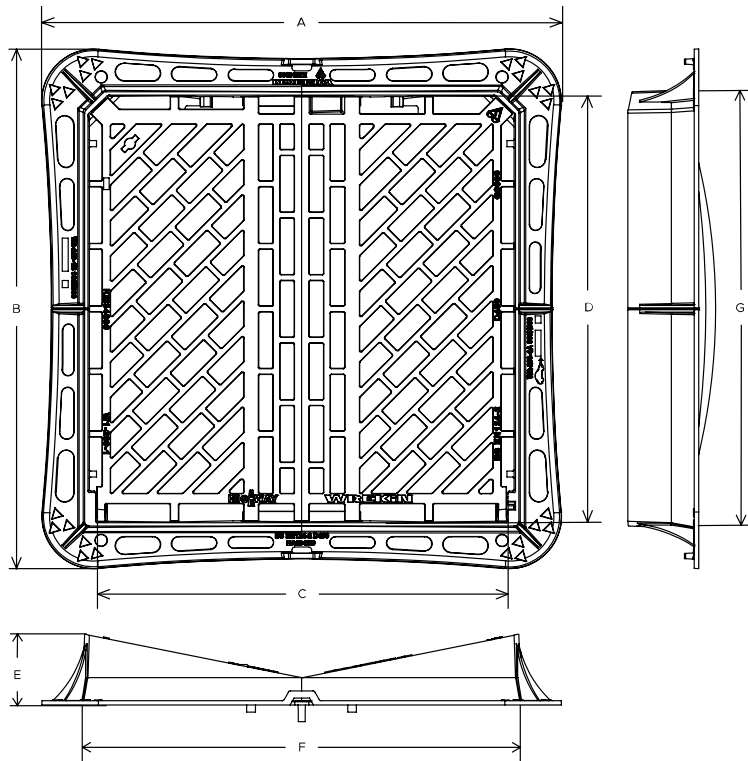
Highway D400 4 flange V gully grate 900mm x 900mm clear opening with 150mm frame depth



RANGE	OVERALL FRAME (A X B)	CLEAR OPENING (C X D)	FRAME DEPTH (E)	BASE OPENING (F X G)	WATERWAY AREA
Highway	1,100 mm x 1,100 mm	900 mm x 900 mm	150 mm	925 mm x 925 mm	5,100 cm ²

Key features

- ✓ Enlarged frame corners help to dissipate, load minimising bearing pressure.
- ✓ Mechanical lifting points are provided.
- ✓ Spring bar low security locking feature.



General information

Stock code	DGHV0D6/9090/KH
Primary material	Ductile iron
Range	<u>Highway</u>
Category	Gully grate
Flanges	4

Standards, classes and groupings

Standards	BS EN 124 CD 534 CD 526 DMRB MCHW
BS EN 124 Class	D400
BS EN 124 Group	3 4
Third party certified	Kitemark
CD526 Hydraulic Capacity	P

Dimensions

Frame shape	Rectangular
Manhole shape	Rectangular
Overall frame length (A)	1,100 mm
Overall frame width (B)	1,100 mm
	200 mm

Clear opening length (C)	
Clear opening width (D)	900 mm
Frame depth (E)	150 mm
Base opening length (F)	925 mm
Base opening width (G)	925 mm
Waterway area	5,100 cm ²

Notes

This product range should not to be exposed to Group 5 traffic or above.
The use of road plates is recommended where exposure to construction site traffic is likely.

All values stated are nominal within 2.5% tolerance.

Accessories

STOCK CODE	PRODUCT NAME	DESCRIPTION
PC/UNIFORM/151076	UniForm	UniForm packing plate 760mm x 100mm x 15mm
PC/UNIFORM/151576	UniForm	UniForm packing plate 760mm x 150mm x 15mm
PC/UNIFORM/251076	UniForm	UniForm packing plate 760mm x 100mm x 25mm
PC/UNIFORM/251576	UniForm	UniForm packing plate 760mm x 150mm x 25mm
PC/UNIFORM/451076	UniForm	UniForm packing plate 760mm x 100mm x 45mm
PC/UNIFORM/451576	UniForm	UniForm packing plate 760mm x 150mm x 45mm
PC/UNIWEDGE/755012	UniForm	UniForm support wedge 120mm x 50mm x 75mm
YPCR/U12.5	UniPak Mortar	12.5Kg UniPak rapid curing polyester resin mortar
YPCR/U25	UniPak Mortar	25Kg UniPak rapid curing polyester resin mortar
SCREWLIFT	ScrewLift	Manhole cover levelling system

1. Wrekin Products Ltd is continually seeking to improve our products and therefore reserves the right to alter product specifications without prior notice.
2. It is the responsibility of all users to satisfy themselves the above data is current.
3. Installation details are available on request.

