

SCAN FOR MORE INFO

CHAMBER STEP IRONS

Steps for brickwork

Wrekin's steps are suitable for fitting into new and existing brickwork. They are made from virgin polypropylene copolymer plastic, encapsulating structural galvanised steel. The steel is partially exposed to enable fixing between courses of brick. Once fixed, the galvanised steel portion is encased in the wall of the chamber. These steps are reinforced with Grade 304 stainless steel to handle particularly corrosive environments.

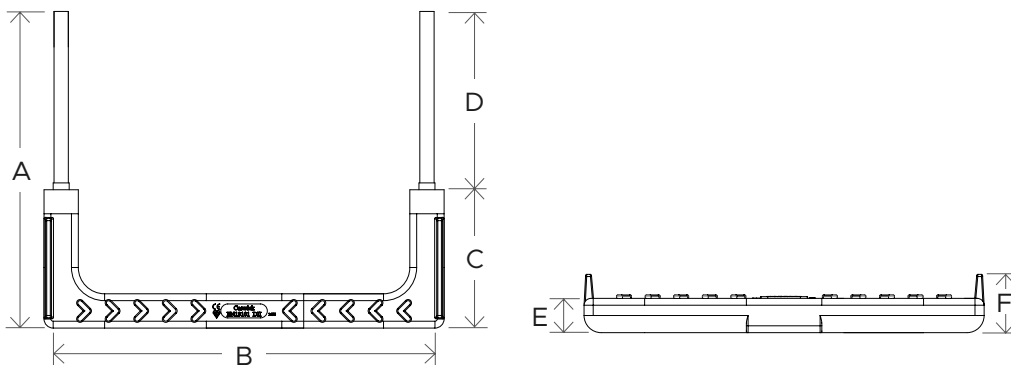
KEY ATTRIBUTES

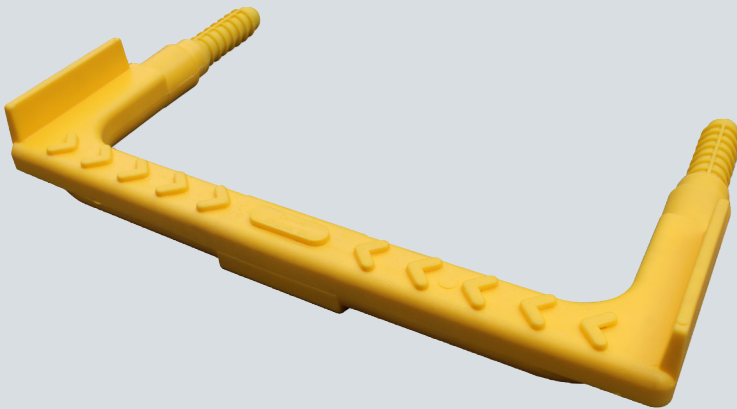
- ✓ Fully compliant with BS EN 13101
- ✓ No sharp edges
- ✓ Third party certified by BSI
- ✓ Bright colours to ensure visibility
- ✓ Corrosion resistant
- ✓ High tensile carbon steel
- ✓ Complies with standard CE marking regulations

APPLICATIONS

- ▶ Concrete structures

STOCK CODE	DESCRIPTION	LEG LENGTH (A mm)	STEP WIDTH (B mm)	STEP LENGTH (C mm)	INSERTION DEPTH (D mm)	STEP HEIGHT (E mm)	SIDE STEP HEIGHT (F mm)
STEP/PE/BRICK	Build in brick	210	333	129	81	30	50





SCAN FOR MORE INFO

CHAMBER STEP IRONS

Steps for concrete

Ideal for fitting into concrete structures. Wrekin's steps are our most widely used product for concrete manholes. They are manufactured using virgin polypropylene copolymer plastic and reinforced with structural carbon steel.

KEY ATTRIBUTES

- ✓ Fully compliant with BS EN 13101
- ✓ No sharp edges
- ✓ Third party certified by BSI
- ✓ Bright colours to ensure visibility
- ✓ Corrosion resistant
- ✓ High tensile carbon steel
- ✓ Complies with standard CE marking regulations

APPLICATIONS

- ▶ Concrete structures

STOCK CODE	DESCRIPTION	LEG LENGTH (A mm)	STEP WIDTH (B mm)	STEP LENGTH (C mm)	INSERTION DEPTH (D mm)	STEP HEIGHT (E mm)	SIDE STEP HEIGHT (F mm)
STEP/PE/CONCRETE	Built in concrete	277	333	121	156	30	50

