

SOLID TOP COVER & FRAME - LIFT OUT

Chequer Plate Solid Top (40mm, 75mm or 100mm deep frame)

Wrekin's solid top covers and frames are manufactured specifically to customer orders and can accommodate any opening size up to 1000 mm square with a single lid, and up to 2000 mm x 1000 mm with twin lids. Weight loadings ranging from pedestrian access to areas of goods vehicle operation can be accommodated, with frame depths at 40 mm, 75 mm & 100 mm. Covers and frames are constructed from heavy gauge plate and sections, they are hot dip galvanised to BS EN ISO 1461 after fabrication to provide corrosion resistance. See below for loading options, frame depths and optional extras. Please consult our steel sales department for specific requirements.

Due to the diversity in frame designs we do not publish generic sizes for this product range.

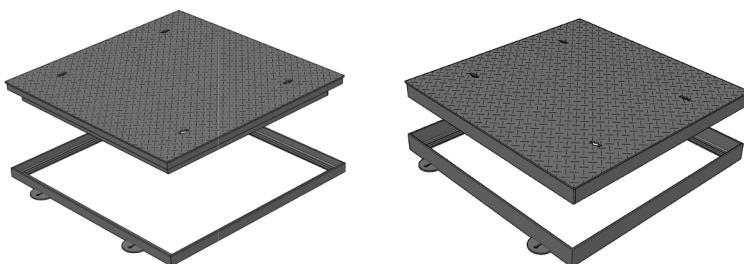
KEY ATTRIBUTES

- ✓ Manufactured from heavy gauge mild steel
- ✓ Hot dip galvanised to BS EN ISO 1461
- ✓ Chequer plate top surface
- ✓ Wide range of load classes
- ✓ Non-standard clear openings accommodated

AVAILABLE OPTIONS

- ▶ Lock & Lift devices
- ▶ 2 or 4 screw locking
- ▶ Threaded lifting eyes
- ▶ Service indicator badge
- ▶ Fall protection grilles (see table)
- ▶ Cover peephole for spindle access
- ▶ Ventilated lid
- ▶ Plain seated (unsealed)
- ▶ Single seal
- ▶ Double seal
- ▶ Powder coating / special paint finishes
- ▶ Enhanced anti-slip coatings
- ▶ Stainless steel (grade 304)

STARTER CODES	FRAME DEPTH (mm)
C21	40mm
C24	75mm
C25	100mm



40 & 75 mm deep frame in solid top.

MATERIAL OPTIONS

- ▶ Mild steel galvanised to BS EN ISO 1461
- ▶ Additional galvanised coating to 100 microns
- ▶ Additional galvanised coating to 140 microns
- ▶ Stainless steel grade 304



LOADING TABLE

WREKIN LOADING CODE	SLOW MOVING WHEEL LOAD (TONNE)
K	0.5
L	1.5
M	2.5
N	5.0
P	6.5
X	11.5

ALL PROTECTION FALL PROTECTION OPTIONS

Hinged ladder safety grille	FP1
Hinged walk on safety grille	FP2
Split hinged pump access grille	FP3
Split hinged pump access walk on grille	FP4
Drop-in bar grille	FP5
Drop-in walk on grille	FP6
Orientation of fall protection systems need to be confirmed by client.	

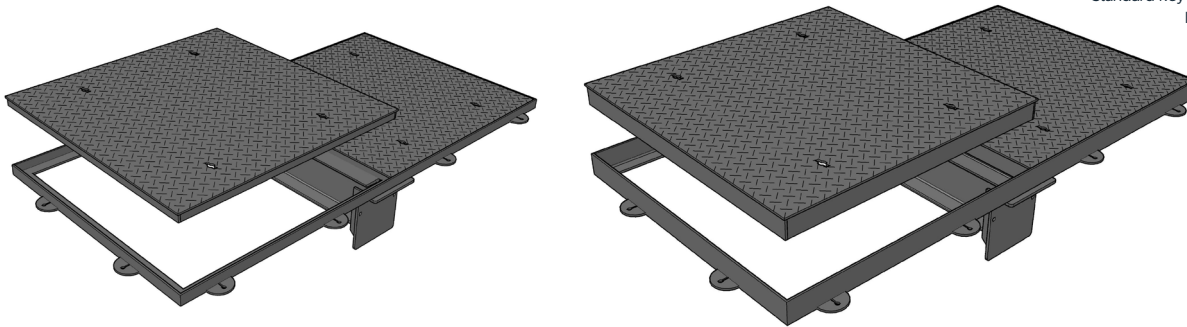


Heavy Duty Key - KEYSHEAVY



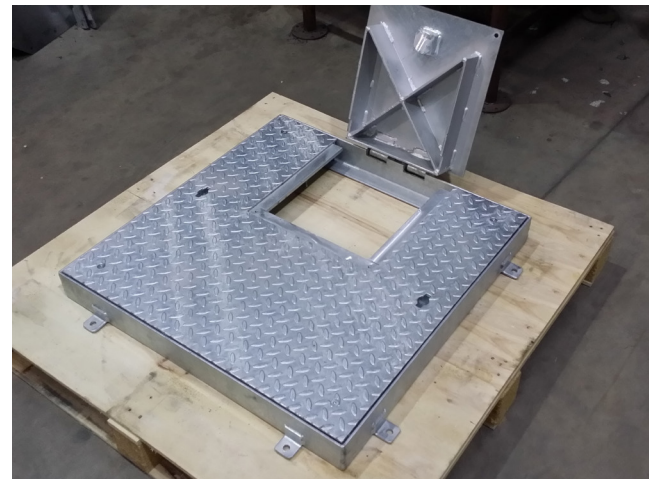
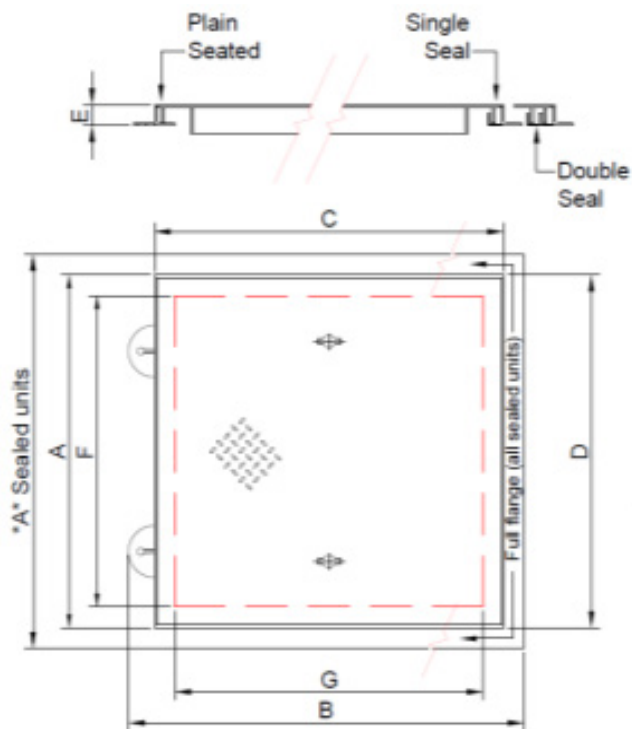
M10 Threaded Key - KEYS/M10

Standard key and optional threaded lifting key



40 & 75 mm deep frame twin cover c/w removable centre beam & support pockets.

DIMENSIONS



Bespoke cover with frame mounted hinged peephole for ease of operation by a single operative

Diagram Key

AxB - Overall Frame Size

CxD - Over Top of Frame

FxG - Clear Opening

E - Frame Depth



FM32898 EMS 758038

WREKIN
MAKE EVERY DAY BETTER

Tel: 01543 440 440
Fax: 01543 440 444
sales@wrekinproducts.com
wrekinproducts.com

1. Wrekin Products Ltd is continually seeking to improve our products and therefore reserves the right to alter product specifications without prior notice.
2. It is the responsibility of all users to satisfy themselves the above data is current.
3. Installation details are available on request.